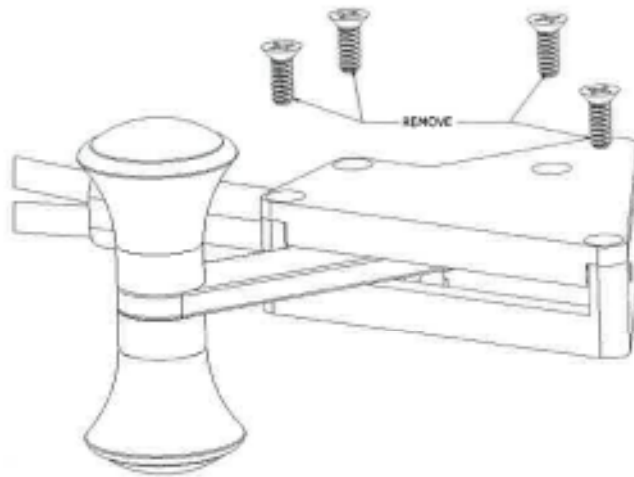
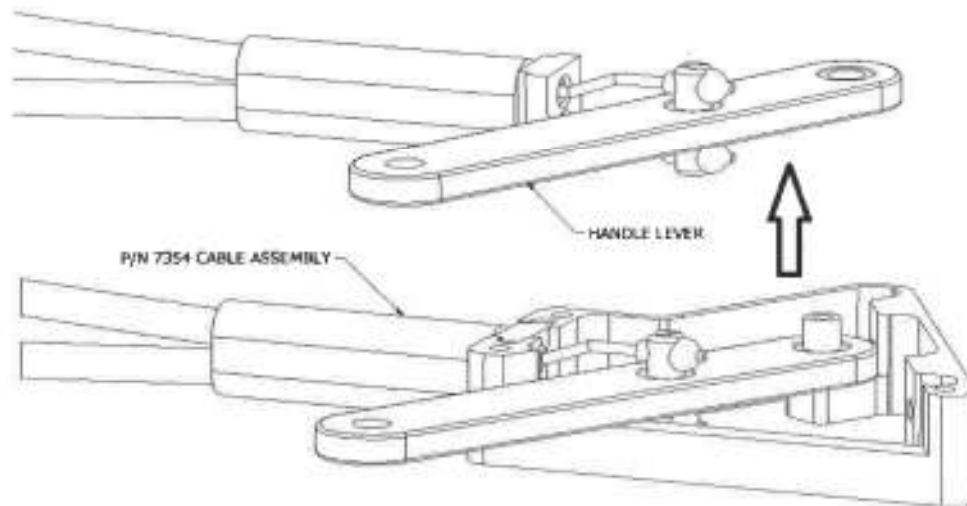


SERVICE INSTRUCTIONS: REPLACING THE P/N 7354 CABLE ASSEMBLY

STEP 1: Remove the housing screws and remove the cover.



STEP 2: Slide the handle lever off the pivot and the cable assembly out of the slot in the lower housing as one unit. The knobs are not shown in the diagram for clarity, do not remove the knobs.



Project Engineer: <i>Scott</i>	Drawn By: <i>David Howell</i>
Date: <i>1/29/20</i>	Date: <i>2-5-2020</i>
Engineering Manager: <i>David Howell</i>	Manufacturing Manager: <i>David Howell</i>
Date: <i>2-4-2020</i>	Date: <i>2-5-2020</i>

McFarlane

McFarlane Aviation, Inc.
696 East 1700 Road
Baldwin City, Kansas 66006

Drawing:
MCSPL1925-1 Cable Assembly Service Instructions

Size: **A** Scale: **None** Drawn: **SD** Sheet: **1** OF **3**

Drawing: **1720** REVISION

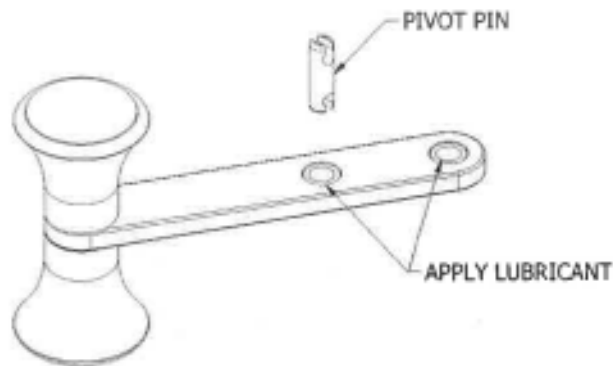
CONFIDENTIAL: Proprietary information of McFarlane Aviation, Inc. Reproduction, dissemination, and disclosure is STRICTLY FORBIDDEN without the expressed written permission of McFarlane Aviation, Inc. All Rights Reserved.
McFarlane Aviation, Inc. (www.mcfarlane.com) 308-741-1100, Box 6

2

~	1/22/2020	ORIGINAL
X		REVISION

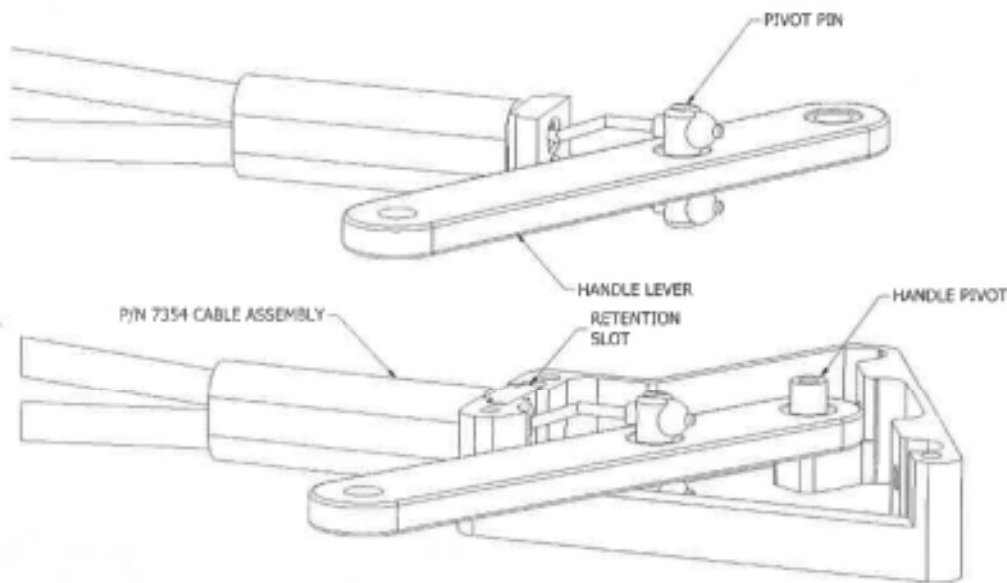
X: Bold letter indicates revision level.

STEP 3: Disconnect the P/N 7354 Cable Assembly from the Pivot Pin and discard the old assembly. Remove the pivot pin from the housing. Clean the handle lever and pivot pin with warm soapy water and dry thoroughly.



STEP 4: Apply a small amount of lubricant (moly, grease, etc) to both bushings and reinsert the pivot pin into the handle lever. Attach the new Cable Assembly (P/N 7354) to the pivot pin by sliding the wire through the groove and sliding the shank of the terminal into the pocket on the pivot pin.

STEP 5: Reinstall the assembly into the lower housing. The preferred method is to slide the handle lever partially onto the pivot, slide the keeper on the cable assembly so that it lines up with the retention slot in the housing, then press both the handle and the keeper down into their final position.



McFarlane McFarlane Aviation, Inc.
696 East 1700 Road
Baldwin City, Kansas 66006

Drawing:

MCSPL1925-1 Cable Assembly Service Instructions

Size: **A** Scale: **None** Drawn: **SD** Sheet: **2** OF **3**

Drawing:

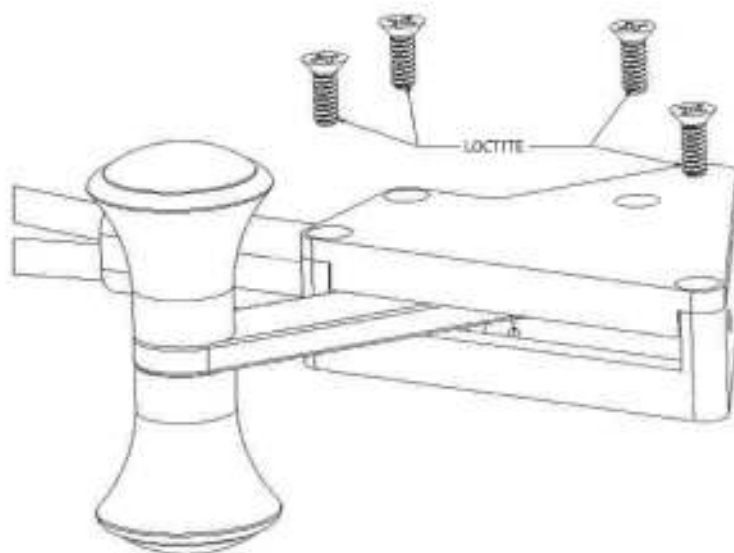
1720

REVISION

2

CONFIDENTIAL: Proprietary information of McFarlane Aviation, Inc. Reproduction, dissemination, and disclosure is STRICTLY PROHIBITED without the expressed written permission of McFarlane Aviation, Inc. All Rights Reserved. Copyright McFarlane Aviation, Inc. (unpublished)

STEP 6: Using the supplied screws, reattach the housing cover. Apply a thread locking compound, such as Loctite, to the threads of the screws to prevent the screws from loosening in operation.



McFarlane McFarlane Aviation, Inc.
696 East 1700 Road
Baldwin City, Kansas 66006

Drawing:
**MCSPL1925-1 Cable Assembly Service
Instructions**

Size: **A** Scale: **None** Drawn: **SD** Sheet: **3** of **3**

Drawing:
1720 REVISION

CONFIDENTIAL: Proprietary information of McFarlane Aviation, Inc. Reproduction, dissemination, and disclosure is STRICTLY FORBIDDEN without the expressed written permission of McFarlane Aviation, Inc. All Rights Reserved. Copyright McFarlane Aviation, Inc. (unpublished)

2