

CERTIFIED

SUNSPOT 75W 36-4000 SERIES

The SunSpot 36-4000 Series **75W** tops the charts with the HIGHEST CANDELA IN THE INDUSTRY for a PAR 36 LED landing light. At just 75W, this line boasts an outstanding 200,000+ candela with a 15°x15° bright white beam angle that greatly improves visibility both on the ground and in the air from up to 30 miles away.

-H MODEL includes AeroLEDs signature integrated Pulse (WigWag) functionality. This feature helps to significantly increase recognition in both broad daylight as well as night operations, aiding in the avoidance of midair collisions and bird strikes. While in operation, this self contained pulse function reduces load on the electrical system by 50% as compared to incandescent bulbs.

The SunSpot 36 replacement LED's utilize the existing PAR36 mount and electrical connections for ease of installation. (-H versions require an additional wire*)



FEATURES

- Highest candela in the industry
- Power consumption: 75 watts
- Color temperature: aviation white
- Built-in pulse mode (-H models)
- Synchronization
- Easy installation
- 30k hr MTBF
- Built-in thermal protection
- Aluminum/black powder coated heat sink
- UV hardcoated polycarbonate lens



THE
AEROLEDs™
STANDARD

INDUSTRY LEADING
PERFORMANCE

5-YEAR WARRANTY

HIGH EFFICIENCY

SHOCKPROOF

LESS DRAG

LONG LIFE



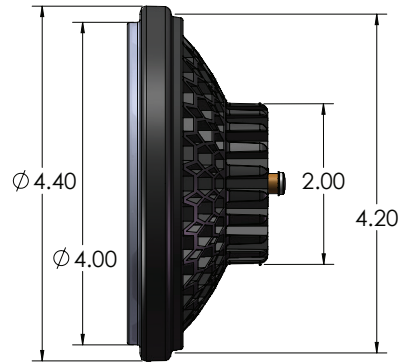
LANDING



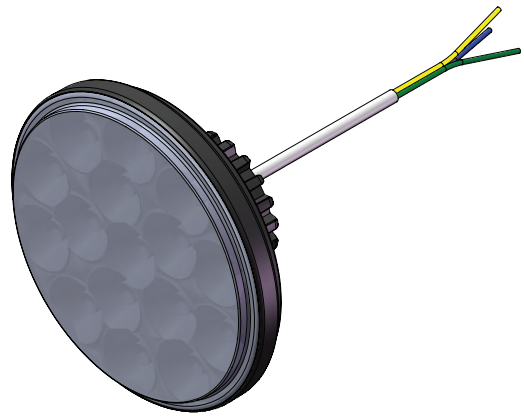
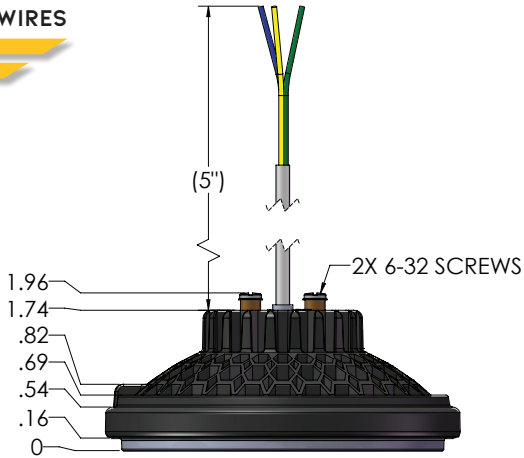
FAA- Approvals



Installation
Manual



-H MODEL
SHOWN WITH WIRES



SPECIFICATIONS		LANDING LIGHT			
36-4000 SERIES		01-1030-4509	01-1030-4509-H	01-1030-4591	01-1030-4591-H
Certification		FAA-PMA/STC			
Voltage	Nominal	14VDC		28V AC/DC	
	Minimum	9VDC		18V AC/DC	
	Maximum	15VDC		30V AC/DC	
Current		5.4A @ 14VDC		2.7A @ 28VDC	
Power		75W			
Lumens		6,500			
Candela		200,000			
Beam Profile (@10% peak)		15° Vertical x 15° Horizontal			
Dimensions (L x W x D)		4.4" x 4.4" x 2.0"			
Weight		11.2oz			
Mounting		PAR36			

